

# Novice 13

Fred Van Sant - March 2022  
modified for quartz angles (4/24/13)

## Facet Data

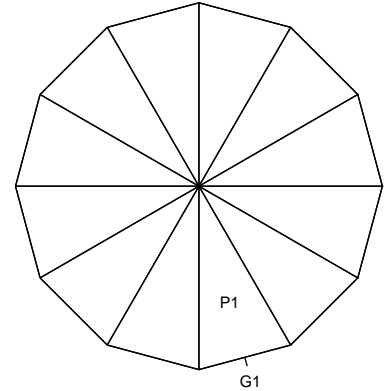
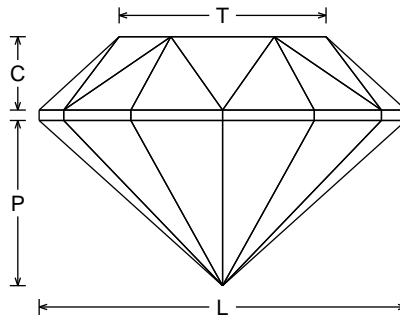
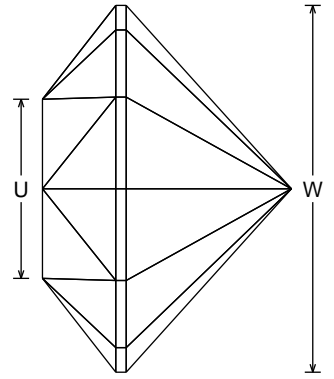
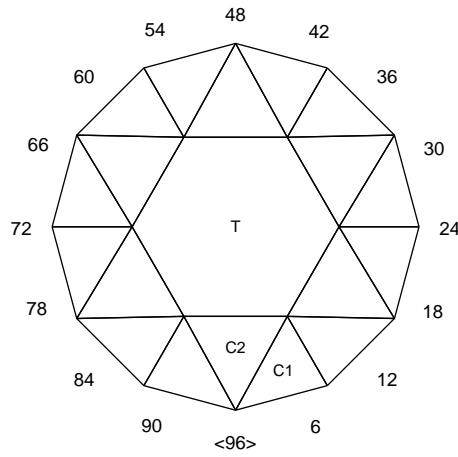
Pavilion facets	12	Pavilion tiers	1
Girdle facets	12	Girdle tiers	1
Crown facets	18+1	Crown tiers	2+1
<b>Total facets</b>	<b>43</b>	<b>Total tiers</b>	<b>5</b>

## Size Data

L/W	1.000	P/W	0.450
T/W	0.564	C/W	0.200
U/W	0.488	H/W	0.679
V/W <sup>3</sup>	0.226	P/C	2.253

## Design Data

Angles for R.I.	1.54
Symmetry	6-fold, mirror
Index gear	96



## Pavilion

P1	43.00	04-12-20-28-36-44-52-60-68-76-84-92
G1	90.00	04-12-20-28-36-44-52-60-68-76-84-92

cut all facets to a common centerpoint. Start with 4/52 and 28/76

cut to set size, meet at P1 facets and create a level girdle line

## Crown

C1	43.50	04-12-20-28-36-44-52-60-68-76-84-92
C2	38.00	96-16-32-48-64-80
T	0.00	Table

cut to set girdle width, meet at G1 corners and a level girdle line.

cut to just touch girdle at G1/C1 corner  
cut to C1/C2 meetpoint