

Squilliant

Marco Voltolini

Facet Data

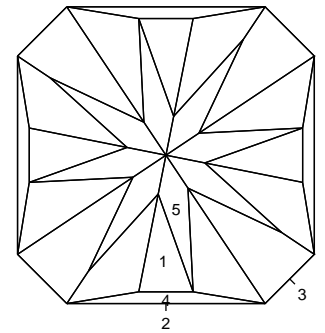
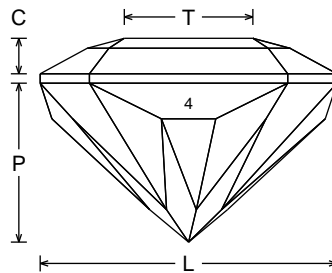
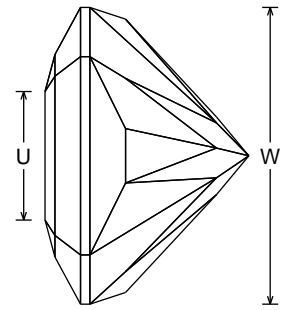
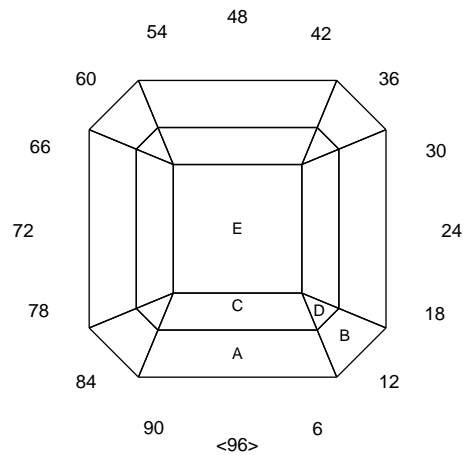
Pavilion facets	28	Pavilion tiers	3
Girdle facets	8	Girdle tiers	2
Crown facets	16+1	Crown tiers	4+1
Total facets	53	Total tiers	10

Size Data

L/W	1.000	P/W	0.536
T/W	0.433	C/W	0.120
U/W	0.433	H/W	0.687
V/W^3	0.293	P/C	4.478

Design Data

Angles for R.I.	1.54
Symmetry	4-fold, radial
Index gear	96



Comments

A sparkling square for quartz. Works also for higher RI's
 Follow the proportions of the design for the step width and table size on the crown.
 A small-ish table will help with the optical performance of the stone.

Pavilion

1	42.90	96-06-12-18-24-30-36-42-48-54-60-66-72-78-84-90	CTP (temp)
2	90.00	96-24-48-72	Set stone size
3	90.00	12-36-60-84	Cut corners...
4	71.81	96-24-48-72	Set girdle level
5	41.50	03-15-27-39-51-63-75-87	Final CTP

Crown

A	28.50	96-24-48-72	Set girdle thickness
B	28.50	12-36-60-84	Cut the step crown...
C	15.00	96-24-48-72	
D	15.00	12-36-60-84	
E	0.00	Table	